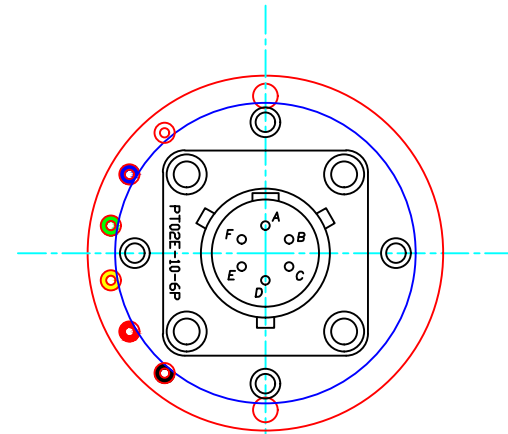
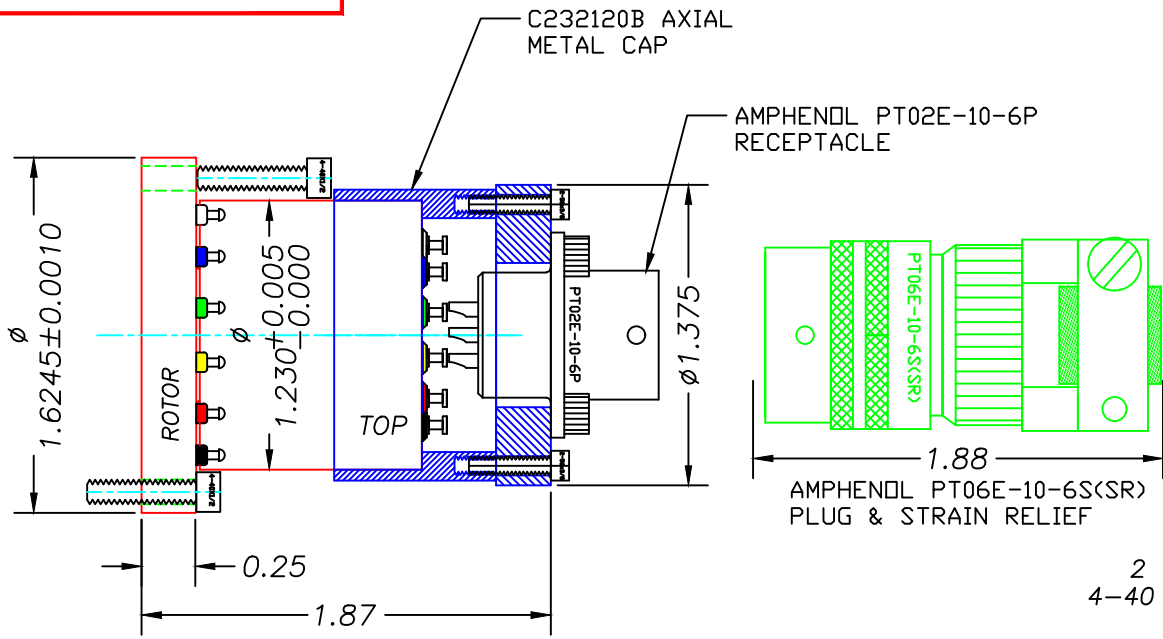
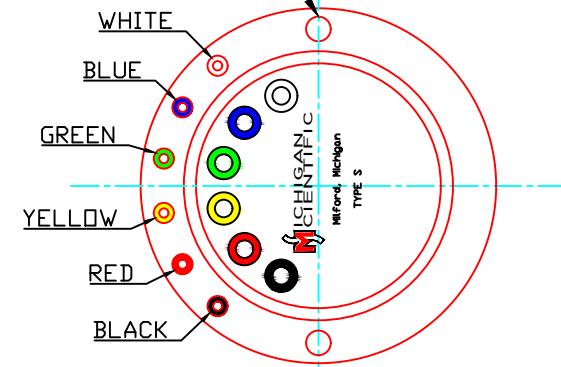


C226607A

DATE BY REVISION LOC.

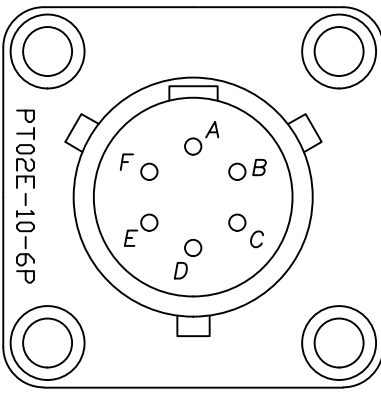


2 HOLES ON 1.435 Ø  
4-40 SCREW CLEARANCE



TYPE S6 SHOWN WITHOUT  
THE AXIAL METAL CAP

MODEL S6 SLIP RING & C232120B AXIAL METAL CAP &  
AMPHENOL PT02E-10-6P & PT06E-10-6S(SR) CONNECTORS



RING POSITION	TERMINAL COLOR	CONNECTOR CONTACT
BOTTOM 1	BLACK	A
2	RED	B
3	YELLOW	C
4	GREEN	D
5	BLUE	E
TOP 6	WHITE	F

THE CONNECTOR BRACKET IS GLUED ONTO THE SLIP RING STATOR WITH AN ADHESIVE SUCH AS HARDMAN 4002 EPOXY OR A LOCTITE RETAINING COMPOUND.

© COPYRIGHT 2022 MSC

**MICHIGAN SCIENTIFIC CORPORATION**  
 08500 ANCE ROAD  
 CHARLEVOIX, MI 49720  
 PHONE: (231)547-5511 FAX: (231)547-7070

DESIGNED BY: KDL	DATE: 11-10-22	SCALE: 1:1
TITLE: S6 & AXIAL STATOR XCTR		
DRAWING NO.: C226607A		
DESIGN MAY CHANGE WITHOUT NOTICE		

W:\SLIPRINGS\S-SERIES\S6\C226607A.dwg, 11/11/2022 4:32:04 PM, kdarsen